



- CSCS
- PTS
- CP2
- OS19/20X
- First Aiders
- Street Works
- Radio Detection
- PASMA

SPECIALIST SURVEY CONTRACTORS





TOPOGRAPHICAL & LAND SURVEYS

Topographical land surveys or geomatics as it is becoming known are carried out with the use of the latest Leica Instrumentation linked to full keyboard data logging equipment for fast and accurate data collection. All of our instruments have the facility of remote surveying with the use of a non contact laser for those hard to reach places.

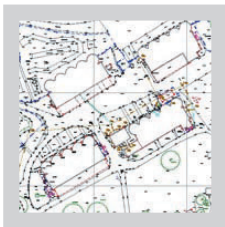
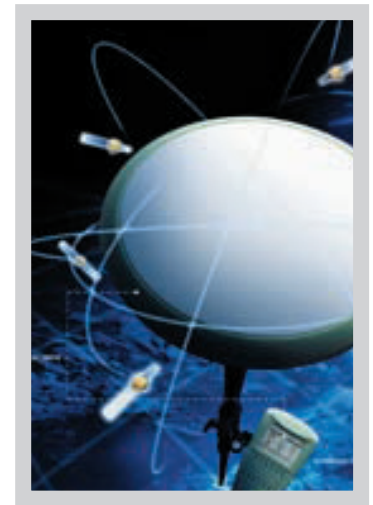
The field data is then downloaded into the latest Digital Terrain Mapping Program (DTM), where the traverse closures are checked and then processed into a 2D plan or a 3D model.

From this information, accurate CAD drawings, volume calculations and contouring can be produced.

The survey information can also be exported into other DTM programs such as MX Genio & PDS Formats.

The GPS and 1 Man Robotic Instrumentation can also be utilised in the production of asset surveys and GIS data collection, which can then be analysed with the latest in GIS mapping software (MapInfo Pro).

All our Instruments are calibrated by ISO 9002 Registered centres.





SERVICE TRACE & ELECTROLOCATION

Underground Utility location is fast becoming a developer's necessity with on going Health & Safety legislations.

For many years, SDS has undertaken service location surveys for a variety of clients, from local builders to Water Authorities and large scale Developers.

Continuing to update our Radiodetection Units has allowed us to stay ahead of competition and ensure that clients keep coming back to receive the highest standard in service location with a Ferrous content.

Radiodetections RD4000 units do not only serve well for the location of Sewers, the same Units are used to induce signals onto underground services through a variety of methods, such as:

- 1) *Induction through positioning of Generator Unit, over service*
- 2) *Direct contact via hard wire Leads which attach to the Ferrous Structure / Service*
- 3) *Induction via Coroner Rings, of which we utilise all sizes available, i.e. 100mm Dia - 300mm Dia*

The Survey Results can be temporarily marked on the ground for immediate use on site.

However, it has become common practice to survey in the results with a Total Station for fast production of accurate drawings.

This information may be added to an existing Topographical Survey or overlaid onto Ordnance Survey Background with the latest in GPS Equipment.





MEASURED BUILDING SURVEYS

Measured Building Surveys can be carried out with full or partially controlled information depending on budget and specification. Floor plans, elevations and sections are undertaken using the latest in Leica reflectorless instrumentation, this enables us to carry out this survey work with one surveyor and therefore reducing the costs, which also means, if it can be seen, it can be surveyed.

FLOOR PLANS:

The footprint of the building is initially surveyed using the Leica Total Station and a closed traverse is carried out if site allows. Internal rooms are then surveyed with the use of a Leica hand held laser-measuring tool for fast and accurate data collection. An internal instrument traverse can also be carried out for increased accuracy.

Our Standard Floor plan contains the following:

- Solid and partition walls
- Doors and heights
- Windows with heights
- Stairs
- Floor levels
- Overhead detail inc. heights
- Room description
- Sanitary fittings



ELEVATION & ARCHITECTURAL SURVEYS:

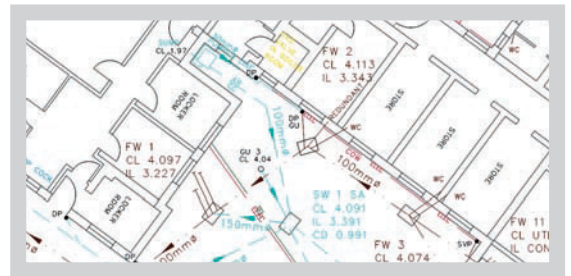
These are carried out using the same Leica total stations incorporating reflectorless technology, resulting in 3D data. This data is then processed using the latest survey software to produce the final CAD drawing. Detail added to these drawings can be dependant on the clients requirements, ranging from basic outline inc. all openings to full detail inc. all stone work/brick detail.



DRAINAGE INVESTIGATION

For over 30 Years SDS have been Investigating & Plotting Drainage Assets throughout the country.

- Electronic Sewer Location up to 13 metres in depth
- Audible & Dye Tracing
- MH Data Cards to STC 25 Standard
- Walkthrough Surveys
- CAD & GIS Mapping
- Flood Risk Assessment



Confined Space Surveys

Confined Space Surveys are undertaken by any number of our personnel as we ensure that all operatives are certificated in the use of Breathing Apparatus and confined space entry.

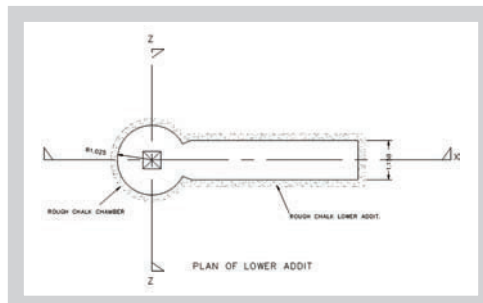
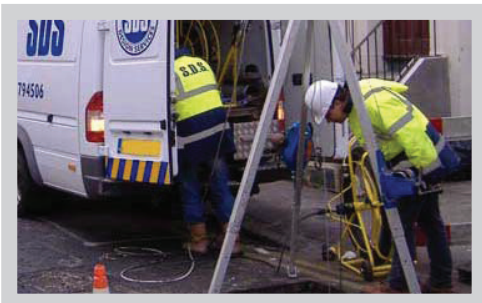
Entry is undertaken with either, Escape Sets, Personal BA Set or the use of an airline when heavily restricted movement or time constraints are an issue.

Impermeable Area Studies

Impermeable Area Studies are carried out by our highly qualified surveyors who have been undertaking such investigations for over 20 years.

Once we have thoroughly investigated any of the above, the results are then transferred onto an electronic background which is then supplied to the client in CAD Format or GIS Mapping Programmes.

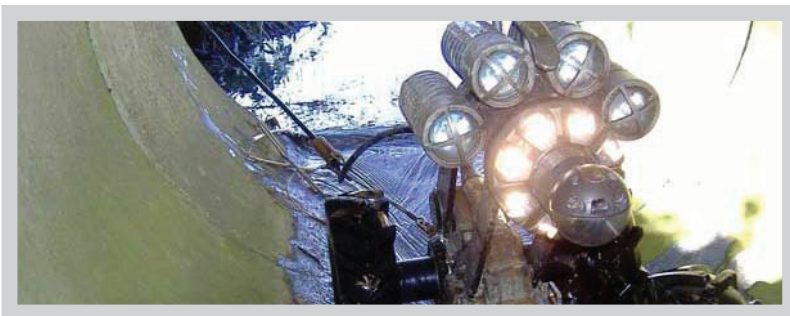
SDS Prides itself on the fact that a minimum of 1 No personnel per 2 Man Survey Team is CAD proficient, which allows us to provide the most accurate of drawings.





CCTV SURVEYS

With a continuing growth in Commercial & Housing Development, CCTV Surveys have never been more in demand in the ascertainment of Drainage Condition.



SDS is continuously investing in the most advanced CCTV Equipment that Pearpoint (leaders in CCTV Pipe Inspection) can offer. This is evident in all CCTV Rigs which use Pan & Rotate Cameras, which allow us to identify the true pipe sizes of laterals entering a system and if indeed whether they are live or capped off.

All vehicles are fitted with on board computers which allow the fully trained (OS19/20X) personnel to produce CCTV Reports, Sewer .Dat Files and Mpeg 1-4 Recordings (on site). The CCTV Report (in Hard Copy Format) is also available whilst on site, via on board printers.

All Camera Vans are fitted with Explosion Proof CCTV Equipment suitable in surveying pipes of 75mm Diameter to 2 metres plus in Diameter with a range of 500 - 600 metres surveying from any one point.

CCTV Surveys that require access over rough terrain are tackled by our 4x4 Camera Unit which is suitable for pipes up to 600mm Diameter as standard and up to 2 metres in diameter upon request.





ADDITIONAL SERVICES

In addition to all ('In House') Surveys SDS offer, we also undertake various skilled works & surveys which run in tandem with the day to day surveys we provide.

PIPE JETTING:

To assist a large number of our CCTV Surveys, SDS offer ('In House') the service of pipe cleansing.

Pre-Cleansing of any pipe section prior to a CCTV Survey will always ensure we are able to view the true condition of a pipe length. If however, a project reemit does not allow for pre-cleansing, we are able to offer our Jetting Units on a standby basis with a CCTV Rig or carry out necessary Jetting Works post, CCTV Surveys.

Our Trailable Jettors are able to undertake pipe cleansing in areas where there is limited access or rough terrain due to the trailer type used.

PERMEABLE INVESTIGATIONS:

On a more land based element, we carry out percolation tests to investigate potential building plots for the permeable rate of the local ground.

This may be undertaken with a Mini Digger, but more often than not, we are able to hand excavate or drill a suitably sized bore hole to a sufficient depth.

The results of these tests will indicate to a / your Drainage Engineer as to whether the installation of a Soakaway is practical, and its potential location.

RIVER & COASTAL SURVEYS:

Many SDS operatives are trained in the use of Survey Crafts. On numerous occasions our RYA (Royal Yachting Association) training has proved invaluable for the undertaking of Hydrographical / Water orientated Surveys for numerous clients.

Mainly these works are carried out for Southern Water where surveys are required for the confirmation and location for their Outfalls.

Other surveys for clients such as EDF Direct & Large Utility companies will be more hydrographically based where for instance; River Bed levels are required for the installation of new Rising Main's and Electrical & Mechanical Services.

The above surveys are undertaken with a variation of boat sizes ranging from 2 metre inflatable dinghies powered by small outboards and oars, to Rigid Inflatable Boats (RIB's) of 6.5 metres in length, suitable in tackling coastal waters.